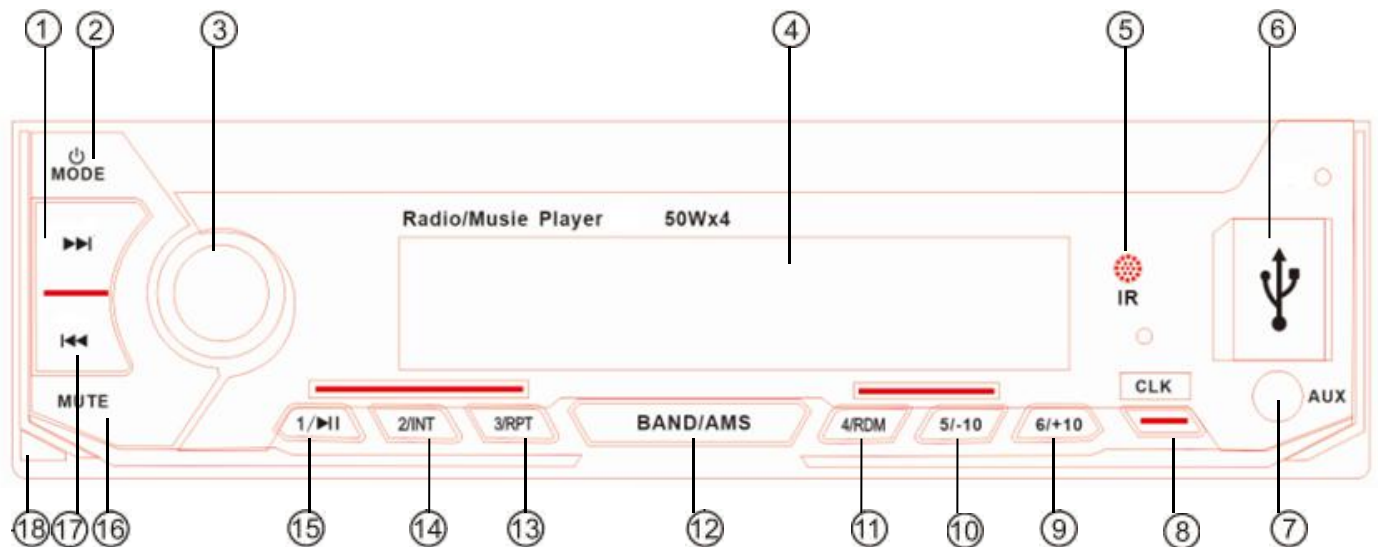


IPS 130SDi MANUAL

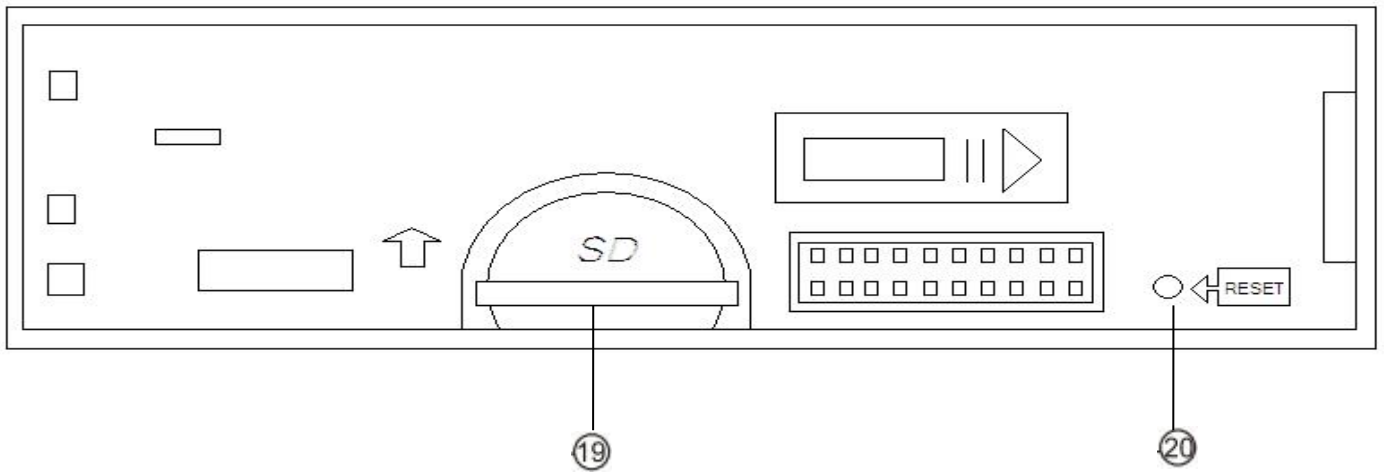


1. FM BAND WITH 18 PRESET STATIONS
2. EQ Sound control
3. SUPPORT MP3/WMA FORMAT
4. SUPPORT USB/SD INTERFACE
5. SUPPORT RDS FUNCTION
6. SUPPORT MOBILE APP OPERATION
7. LCD DISPLAY
8. DIGITAL ELECTRONIC VOLUME
9. SUPPORT RCA OUTPUT
10. SUPPORT AUXIN
11. SUPPORT DSP FUNCTION

Panel location and name



Base position and name



1. Search broadcasting station forward / select songs forward
2. Power switch/mode switch key
3. Volume / menu key
4. Display screen
5. Infrared remote-control receiving window
6. USB socket
7. AUX-IN jack
8. Time key
9. Figure 6/forward +10 songs key
10. Figure 5/backward -10 songs key
11. Figure 4/random play key
12. Band switching/automatic lock key
13. Figure 3/repeat play key
14. Figure 2/browse play key
15. Figure 1/pause key
16. Mute key
17. Search broadcasting station backward / select songs backward / hang-up key
18. Panel removal key
19. SD slot
20. Reset switch

Basic operation:

1. Search broadcasting station forward / select songs forward / answer key (▶▶)
- 1) The broadcasting station can be searched semi-automatically forward after short pressing this key in the reception mode, the broadcasting station can be searched forward in a stepwise manner after long pressing this key, and the station storage can be preset after pressing the key 1 to 6 after the station stops.
- 2) It is a forward song selection after short pressing this key in the MP3 playing state. Long press this key for fast forward playback function.
2. Power switch/mode switch key (MODE)
- 1) Short press this key for startup and long press this key for shutdown after energizing.

2) It is the mode switch function (RADIO/USB/SD/AUX) after short pressing this key in the startup state.

3. Volume / menu key (VOL/SEL)

1) In the reception and playback state, turn the volume knob to adjust the volume. Turn it clockwise to increase the volume and counterclockwise to decrease the volume.

2) In the reception and playback state, short press the volume knob to enter: BAS (bass), TRE (treble), BAL (balance), FAD (fader), EQ OFF (sound effect), LOUD OFF (equal loudness), CLOCK24/12 (24-hour / 12-hour system), STEREO/MONO (radio stereo / force mono), DX/LOC (long / short range), and AREA EUR/USA (European / USA standard) function options, and adjust the volume knob to select. (Note: In case of the selection of the "DSP USER" function (audio setting customization) in the EQ (sound effect) option, there is a corresponding frequency display for audio setting, which can be completed with the SEL key and VOL key.)

3) In the reception and playback state, this key can be long pressed and then short pressed several times to enter: AF ON (broadcasting station with the transmitting frequency meter), TA OFF (traffic news), TAVOL 25 (traffic message volume), REG OFF (region selection), EON ON (other broadcasting station information), and SEL PTY (radio program type selection) functions, the corresponding function can be selected by adjusting the volume knob.

4. Display screen

Display the reception frequency and current play information.

5. Infrared remote-control receiving window (IR)

It is used to receive the command sent from the remote control.

6. USB socket (USB)

1) After the USB flash disk is inserted, the music in corresponding format can be played automatically.

7. AUX-IN jack (AUX)

It is used to connect the external audio signal.

8. Time key (CLK)

1) In the startup state, the "CLK" key can be short pressed to display the time; In the time display state, the clock adjustment setting can be entered after long pressing the "CLK" key, and the value can be selected in cooperation with the volume knob. At the same time, the hour / minute can be switched after short pressing the "CLK" key. After the adjustment is completed, the "CLK" key can be long pressed to exit the setting, or automatically confirm the time and exit the setting after stopping the operation for 5 seconds.

2) In the reception and DAB mode, the time and current playback information can be displayed after short pressing the "CLK" key several times.

9. Figure 6/forward+10 songs key (6/+10)

1) Short press this key for playing the pre-store "6" broadcasting station under the reception state, and long press this key for 2s to store the broadcasting station played currently as "6" broadcasting station.

2) Under the MP3 play state, the forward + 10 songs selection play can be activated after short pressing this key, and the forward selection folder play can be activated after long pressing this key.

10. Figure 5/backward-10 songs key (5/-10)

1) Short press this key for playing the pre-store "5" broadcasting station under the reception state, and long press this key for 2s to store the broadcasting station played currently as "5" broadcasting station.

2) Under the MP3 play state, the backward - 10 songs selection play can be activated after short pressing this key, and the backward selection folder play can be activated after long pressing this

key.

11. Figure 4/random play key (4/RDM)

1) Short press this key for playing the pre-store "4" broadcasting station under the reception state, and long press this key for 2s to store the broadcasting station played currently as "4" broadcasting station.

2) Under the MP3 play state, this key can be short pressed for random play, and it can be short pressed again to restore sequential play.

12. Band switching/automatic lock key (BAND/AMS)

1) The band switching (FM1-FM2-FM3/DAB1-DAB2-DAB3) can be achieved after short pressing this key under the reception or DAB mode, the broadcasting station can be searched automatically after long pressing this key, and the searched broadcasting station will be stored in the preset keys 1-6 in order: The radio program stored in the first preset key will be played automatically after the broadcasting station is automatically searched. 6 broadcasting stations can be stored for each band, namely, a total of 18 broadcasting stations can be stored.

2) Under the MP3 play state, this key can be long pressed to enter the digital song selection function, the songs can be selected by adjusting the volume knob, and the songs can be confirmed and played after short pressing the volume knob.

13. Figure 3/repeat play key (3/RPT)

1) Short press this key for playing the pre-store "3" broadcasting station under the reception state, and long press this key for 2s to store the broadcasting station played currently as "3" broadcasting station.

2) The single repeat play can be activated under MP3 play state after short pressing this key, and the single repeat play function can be canceled after short pressing this key again.

14. Figure 2/browse play key (2/INT)

1) Short press this key for playing the pre-store "2" broadcasting station under the reception state, and long press this key for 2s to store the broadcasting station played currently as "2" broadcasting station.

2) Under the MP3 play state, the MP3 song browsing function can be activated after short pressing this key, it will be automatically turned to the next song after each song is played for 10 seconds, and the sequential play will be resumed after short pressing this key again.

15. Figure 1/pause key (1/⏸)

1) Short press this key for playing the pre-store "1" broadcasting station under the reception state, and long press this key for 2s to store the broadcasting station played currently as "1" broadcasting station.

2) The pause can be activated under MP3 play state after short pressing this key, and the pause function can be canceled after short pressing this key again.

16. Mute key (MUT)

The mute function can be activated under the startup state after short pressing this key, and the mute function can be closed after short pressing this key again.

17. Search broadcasting station backward / select songs backward / hang-up key (⏮)

1) The broadcasting station can be searched semi-automatically backward after short pressing this key in the reception mode, the broadcasting station can be searched backward in a stepwise manner after long pressing this key, and the station storage can be preset after pressing the key 1 to 6 after the station stops.

2) It is a backward song selection after short pressing this key in the MP3 playing state. Long press this key for fast backward playback function.

3) After the mobile phone Bluetooth is connected, the call can be hung up after short pressing this key when there is an incoming call or during the call.

18. Panel removal key

The front panel can be removed after pressing this key, and then the operation of inserting or pulling SD card or system reset can be carried out

19. SD slot (SD)

After the SD card is inserted, the music in corresponding format can be played automatically.

20. Reset key

In case of the disorder of the host system, the system can be reset by pressing the key inside with a hard object. After reset, the host needs to be restarted for operation.

Basic RDS operation

1) AF Function

When starting the host for the first time, its system will default to be in the RDS (AF) tracking and station selection state automatically; In case the broadcasting station of FM band requires to be listened, RDS (AF) function must be closed at first, otherwise, FM band will not receive the broadcasting station.

Method for switching on/off AF: Long press "SEL" button to select AF ON at first, and select AF OFF by rotating volume knob.

2) REG Function

The "REG OFF" state will be entered by short pressing "SEL" button after long pressing such button under any condition of the opened host, then whether to open area selection will be selected by volume knob.

3) TA Function

The "TA OFF" state will be entered by short pressing "SEL" button after long pressing such button under any condition of the opened host, then select to open "TA ON" by regulating the volume knob, and the traffic information can be played automatically.

4) TA Volume selection function

The "TA VOL" state will be entered by short pressing "SEL" button after long pressing such button under any condition of the opened host, then the volume of TA function can be selected by volume knob.

5) EON Function

The "EON" state will be entered by short pressing "SEL" button after long pressing such button under any condition of the opened host, then whether the to display the information of other broadcasting stations will be selected by volume knob.

6) PTY Function

The "SEL PTY" selection state will be entered by short pressing "SEL" button after long pressing such button under reception condition of opened host, then, the type of broadcasting station program will be selected with "volume +" and "volume -" buttons.

Interconnection between the mobile phone and the host

1. The mobile phone is connected to the network at first, and then the browser is opened to scan the QR code below and download.



iPhone QR Code

Android Phone QR Code



2. When the APP is downloaded, the icon is clicked to enter the connection interface.

3. The icon in the upper right corner of the connection interface is clicked three times to open the "Bluetooth" and "location information" function and connect the "CAR APP" device in accordance with the prompts.



4. It will automatically enter the radio interface or main interface after the above three conditions are met.

5. In case of the Bluetooth music play, the phone must be connected to the host. The connection method shall refer to the above "**Bluetooth operation**" → "matching between phone and host".

Function operation of remote control

1. DSP function operations

1) It is the (audio setting customization) function after short pressing this key in the startup state, the host will display "DSP USER" in English at first, and then display the frequency. After that, a frequency is switched after pressing this key every time, and the volume key is adjusted for personalized setting at the same time.

2) In the startup state, the audio setting can be reset after long pressing this key, the host will display "DSP RESET" in English, the original sound effect will be cleared, and the user can personalize the audio again.

2. Bluetooth phone operations

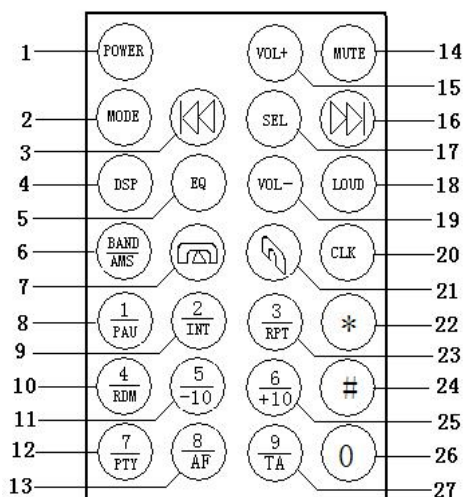
1) When there is an incoming call, the call can be answered after short pressing "☎" key, and it can be rejected after short pressing "📞" key.

2) In Bluetooth mode, short press the "☎" key to enter the dialing interface, and press the "☎" key again to make a call after pressing the phone number. Long press this "☎" key to redial the last phone number.

3. PTY function operations

In the FM mode, short press this key to enter the program type selection interface, and short press the volume key to select different types of broadcasting stations for listening. After the

selection, press "SEL" to confirm to enter the search. When the search is completed, the corresponding broadcasting station n will be played automatically.



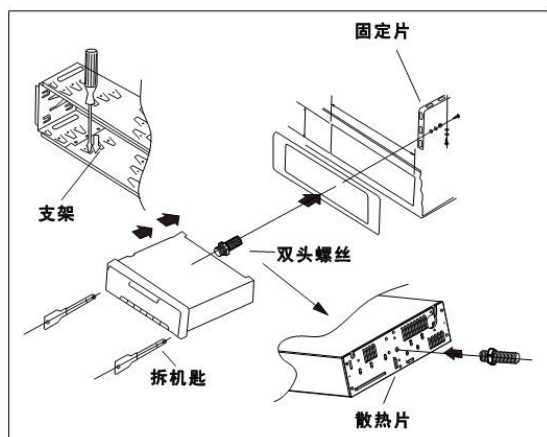
- | | |
|---|--|
| 1. Power key | 14. Mute key |
| 2. Mode switch key | 15. Volume + key |
| 3. "Select songs backward" / "search broadcasting station backward" key | 16. "Select songs forward" / "search broadcasting station forward" key |
| 4. Audio setting key | 17. Menu key |
| 5. Sound effect key | 18. Equal loudness key |
| 6. Band switch/automatic search and station storage key | 19. Volume - key |
| 7. NO | 20. Time key |
| 8. 1/pause key | 21. NO |
| 9. 2/browse play key | 22. * key |
| 10. 4/random play key | 23. 3/repeat play key |
| 11. 5/backward -10 songs key | 24. # key |
| 12. 7//PTY function key | 25. 6/forward +10 songs key |
| 13. 8/AF function key | 26. 0 key |
| | 27. 9/TA function key |

Precautions

1. When the protective tube needs to be replaced, the protective tube of the same specification should be used and the random substitution isn't allowed.
2. The wires must be correctly connected according to the wiring diagram to ensure the normal operation of the machine.

Installation drawing

1. Place the host according to the assembly position before installing the host. Connect the corresponding speaker cable and power cable for trial listening.
2. The host can be fixed after the host running effect is satisfactory.



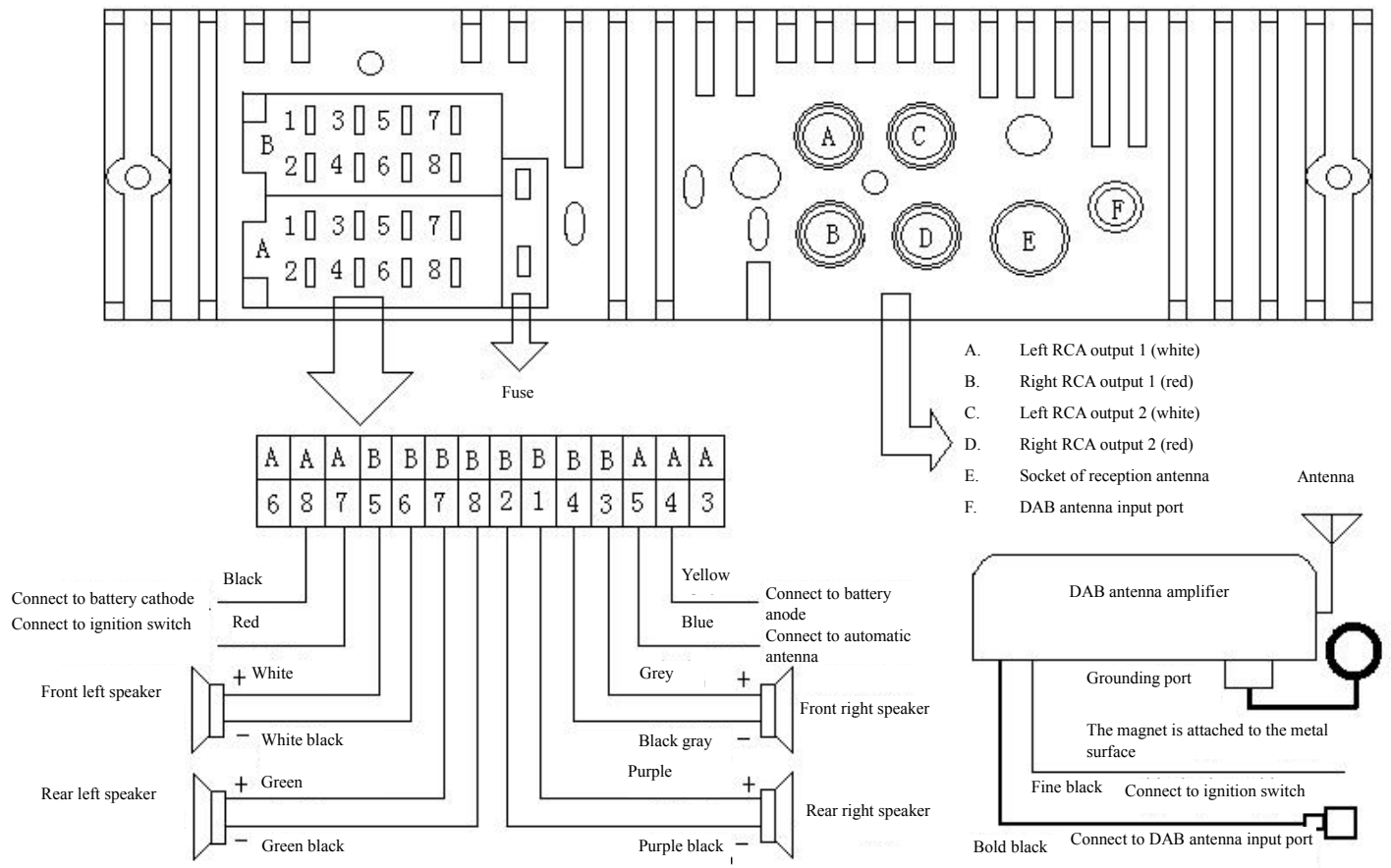
●Install the main part

1. Place the holder on the dashboard and then bend certain snapping components by force;
2. Connect with the power-supply cable and speaker wires and then attach the fixing tag to the automobile;
3. Slide the main part into the holder and then tighten the nuts on the fixing tag.

●Dismantle the main part

Insert two disassembly keys into the left and right side of the gap at the same time, so that the disassembly keys

hook the host, gently pull out, you can make the host from the bracket, and then remove the connecting line and unplug the antenna plug



Technical Parameters

FM part

Frequency range: 87.5 MHz-108 MHz

Noise limited sensitivity $\leq 37\text{dBf}$

Signal-to-noise ratio: $\geq 40\text{dB}$

Frequency stepping: 0.05MHz

MP3 playing part

Frequency response: 100Hz - 10000Hz($\pm 5\text{dB}$)

Signal-to-noise ratio: $\geq 45\text{dB}$

Channel separation $\geq 30\text{dB}$

Voltage harmonic distortion (1kHz) $\leq 5\%$

Balance of playback stereo channel $\leq 3\text{dB}$

General index

Supply voltage DC12V

Loudspeaker impedance 4-8 Ω

Rated output power 25WX4 channel

Dimension 178mm (width) X50mm (height) X100mm (depth)